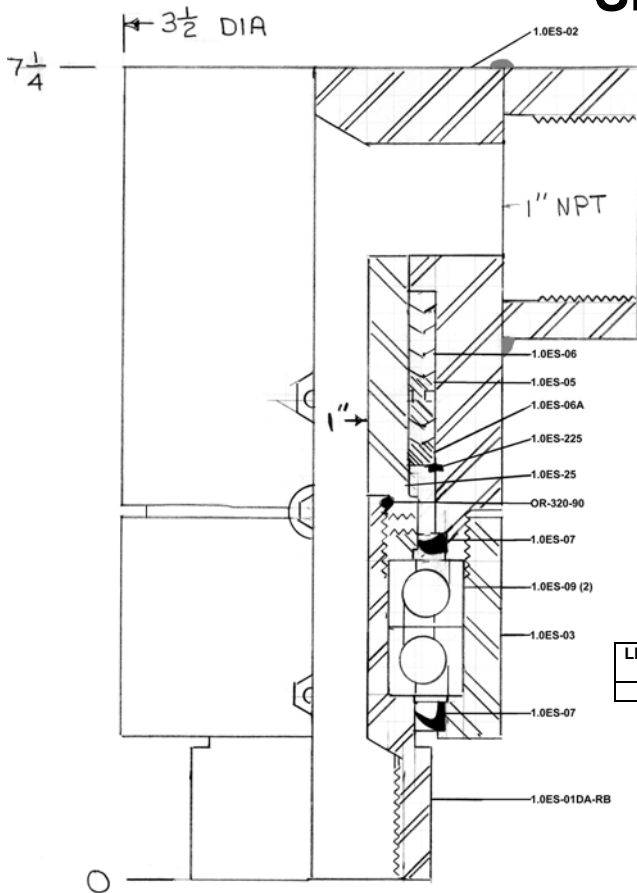


1.0ES ROTATING HEAD “SPECIAL SWIVEL”



- Extra short – 7 ¼”
- 1” Fluid passage
- Chevron V-Ring packing
- Grease lubricated packing and bearing
- Sealed bearing case
- Can be serviced in the field

TECHNICAL DATA

LENGTH	WIDTH	WEIGHT	HOSE CONN.	LOWER CONN.	FLUID PASSAGE	WORKING PRESSURE
7 ¼”	3 ½”		1” NPT	1 ½” NPT	1”	1500 PSI

WEIGHT CAPACITIES DESIGNED FOR PRESSURE LOAD ONLY

PART NUMBER	NAME	NUMBER REQ.	
1.0ES-9100-01	WESTERN ROTATING HEAD, “HIGH PRESSURE”, 1” NPT FEMALE HOSE CONN. WTH 1 ½” NPT LH FEMALE LOWER CONNECTION		
1.0ES-01DA-RB	SPINDLE, 1 ½” NPT RH FEMALE	1	
1.0ES-02	GOOSENECK, 1” NPT FEMALE	1	
1.0ES-03	BEARING HOUSING	1	
1.0ES-05	LANTERN RING	1	
1.0ES-06	PACKING WITH MALE ADAPTER	1	
1.0ES-06A	PACKING SEAT RING	1	
1.0ES-07	HOUSING SEALS	2	
1.0ES-09	BEARING	2	
1.0ES-225	RETAINER, PACKING	1	
1.0ES-25	WASHPIPE	1	
OR-320-90	RING, WASHPIPE	1	

Other sizes of connections available, please consult factory.

Option for above swivel, may affect pricing of complete swivel. Other options available, please consult factory.

