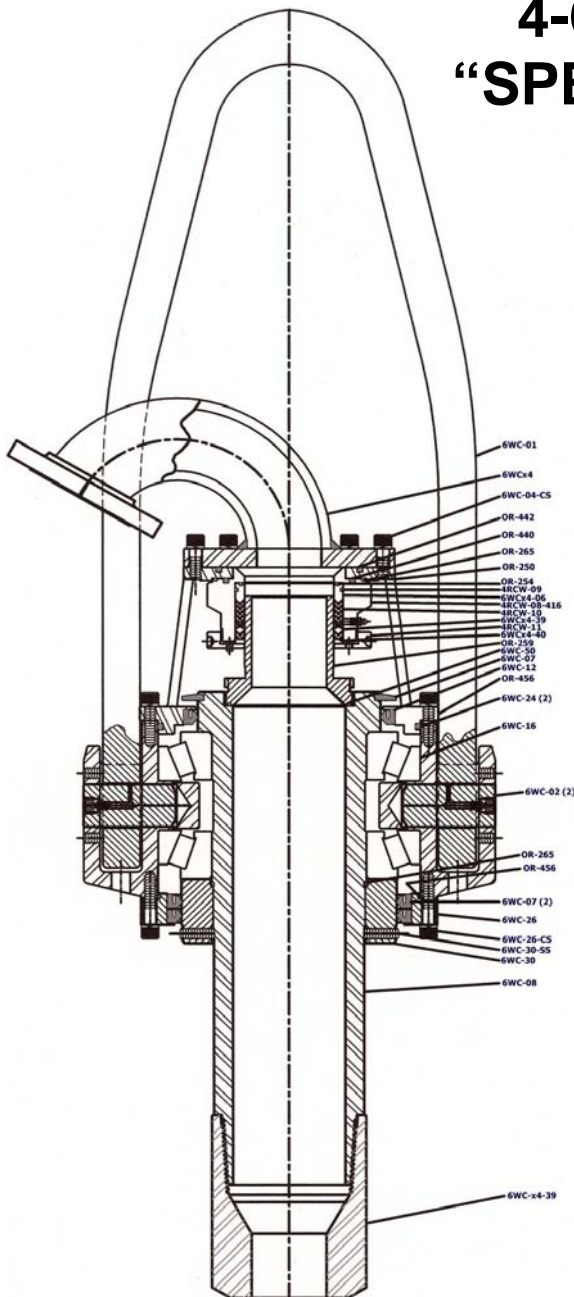


4-6WC SWIVEL “SPECIAL SWIVEL”

The 4-6WC is designed for the Water Well Irrigation, and the Construction Drilling Market. This compact swivel has a 4" ID but can be converted to a 6" ID with an additional packing capsule and gooseneck. This unit can be used for both conventional and reverse circulation drilling.



- Large 4" watercourse
- Quick change packing box
- Equal hoisting and pulldown capacity
- Adjustable bearings and packing
- 2" female airline connection
- Weld beveled sub

STATIC LOAD CAPACITY	ROTATING LOAD CAP. @ 35 RPM	WORKING PRESSURE	HOSE CONNECTION	WT/LB
175,000 LBS.	80,000 LBS.	To 1500 PSI	4", 150# FLANGE	775

PARTS LIST

PART NUMBER	DESCRIPTION	QTY. REQ.	
4-6WC-5001-XX	WESTERN SWIVEL, 4" WATERCOURSE, 4" FLANGE HOSE CONN. WITH 2" NPT FEMALE AIR LINE CONN. WITH 6" MODIFIED LH PIN LOWER CONNECTION FURNISHED WITH SAVER SUB, BEVELED FOR WELD (LIMITED TO 9 1/2" OD)		

Other sizes of connections available, please consult factory.

Option for above swivel, may affect pricing of complete swivel. Other options available, please consult factory.

